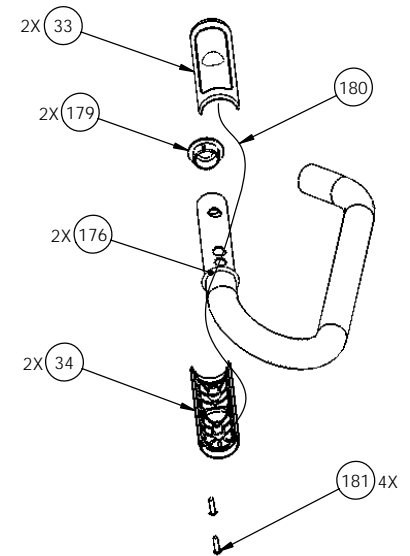
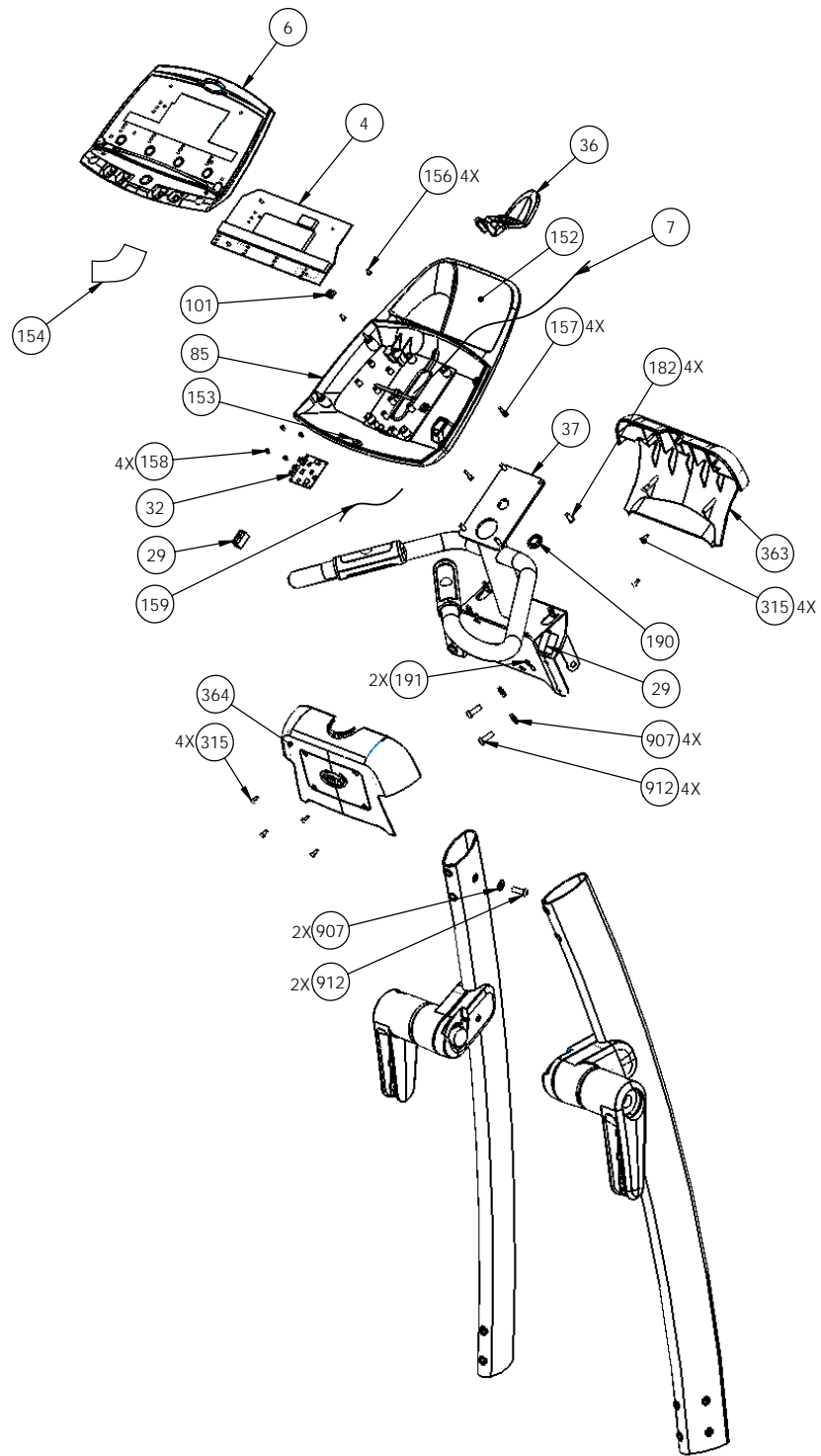
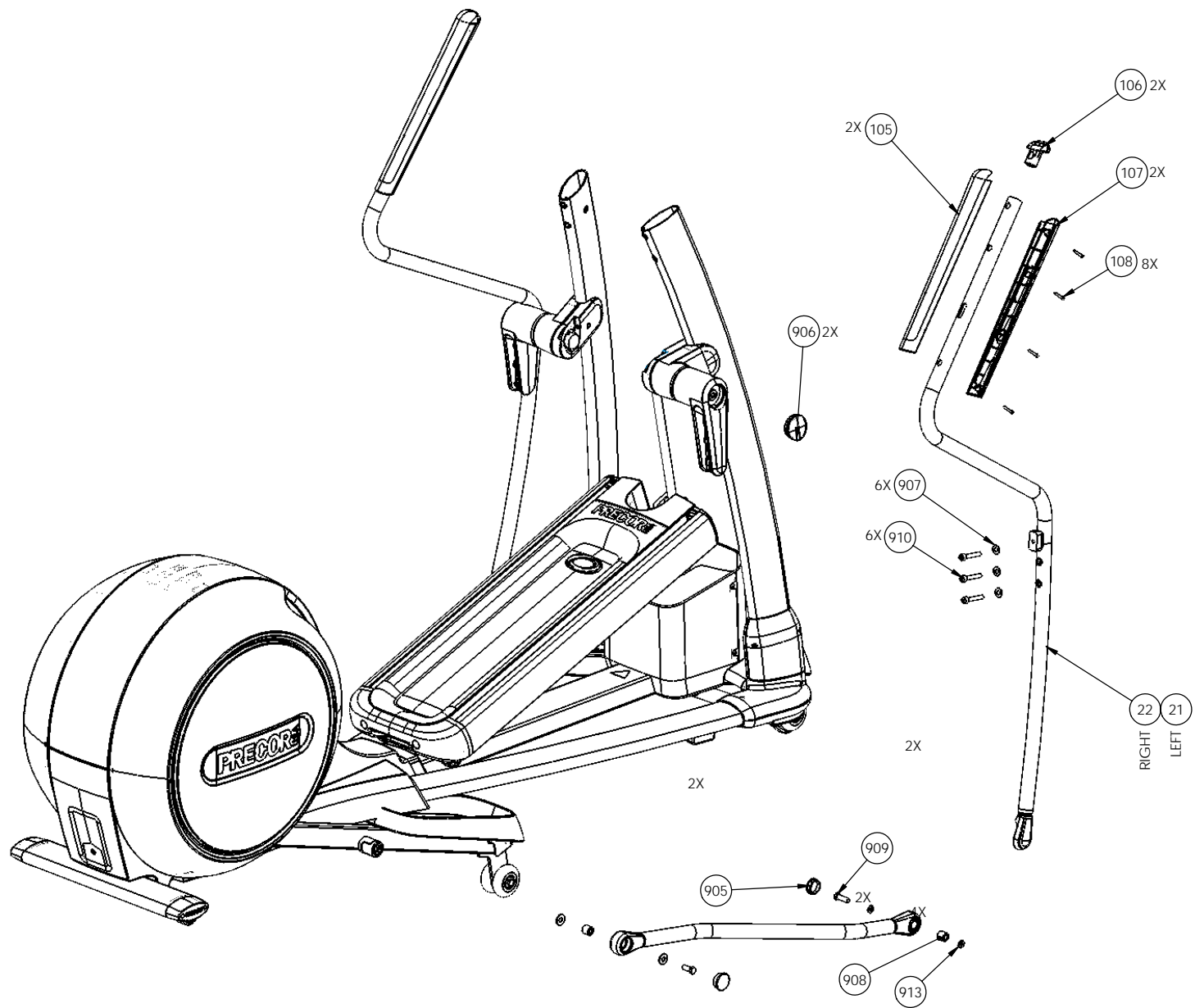
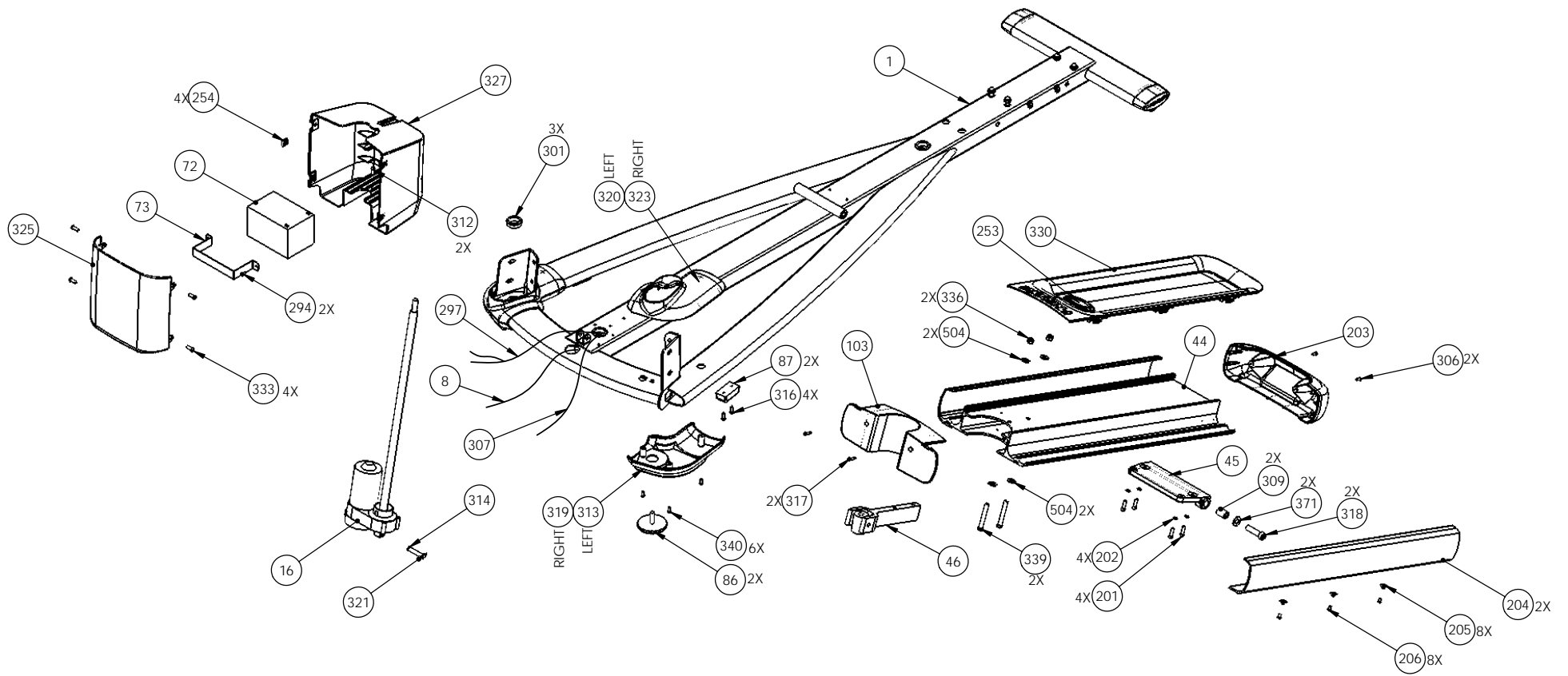
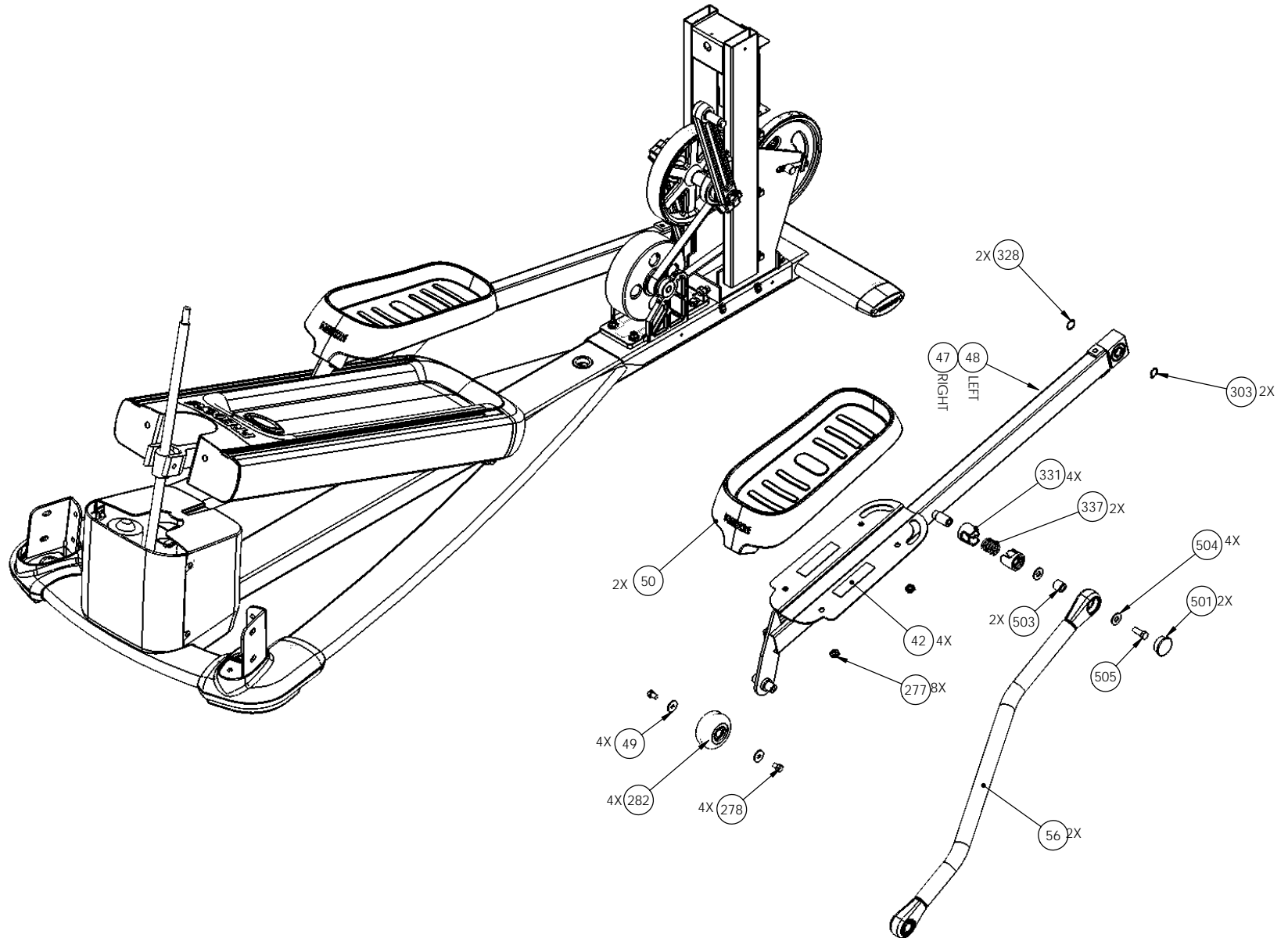


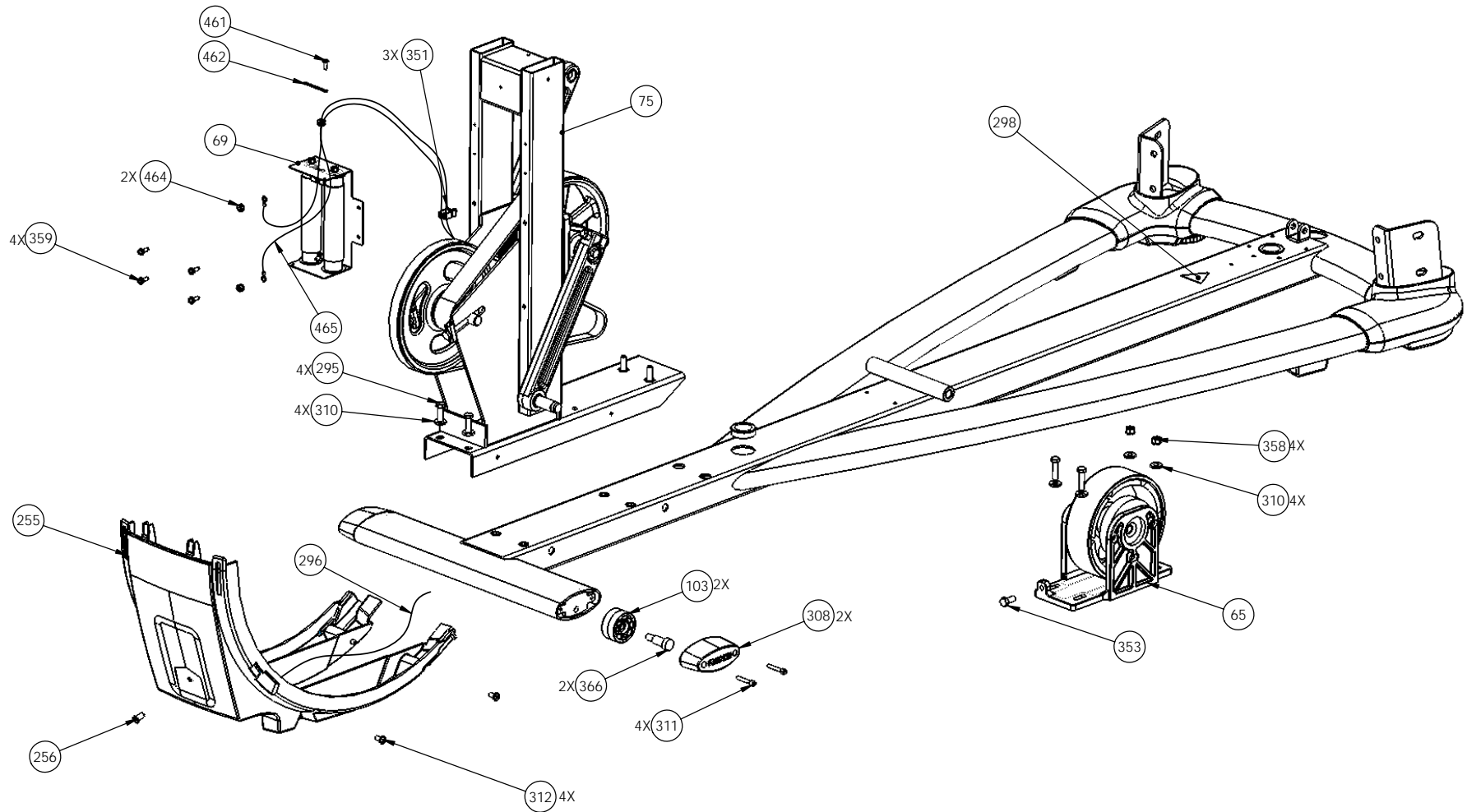
C576i	P/N : 39869-101	SUBREV : H
DRAWN BY : M.HAMILTON	DATE : 02.23.06	SHEET 1 OF 9

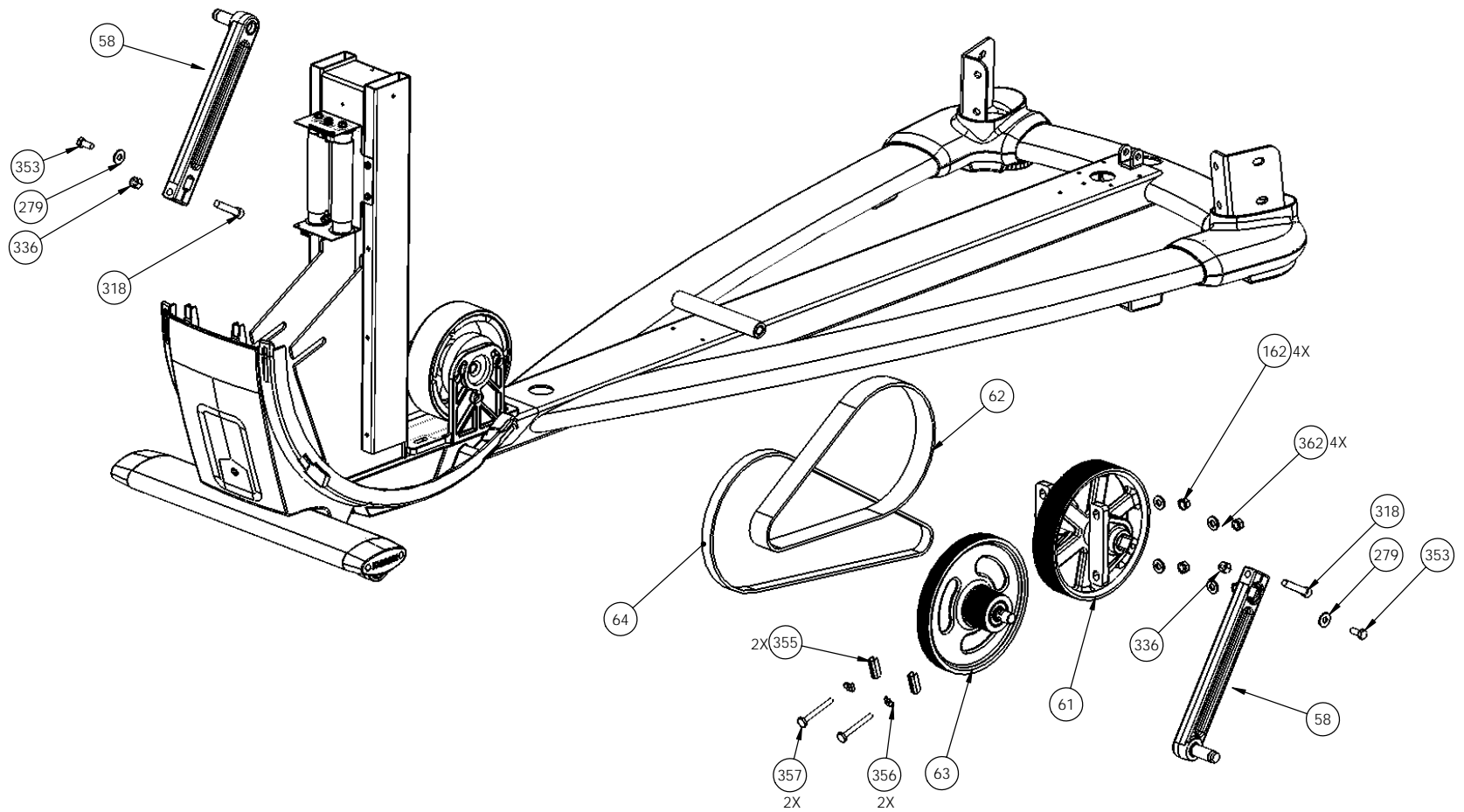




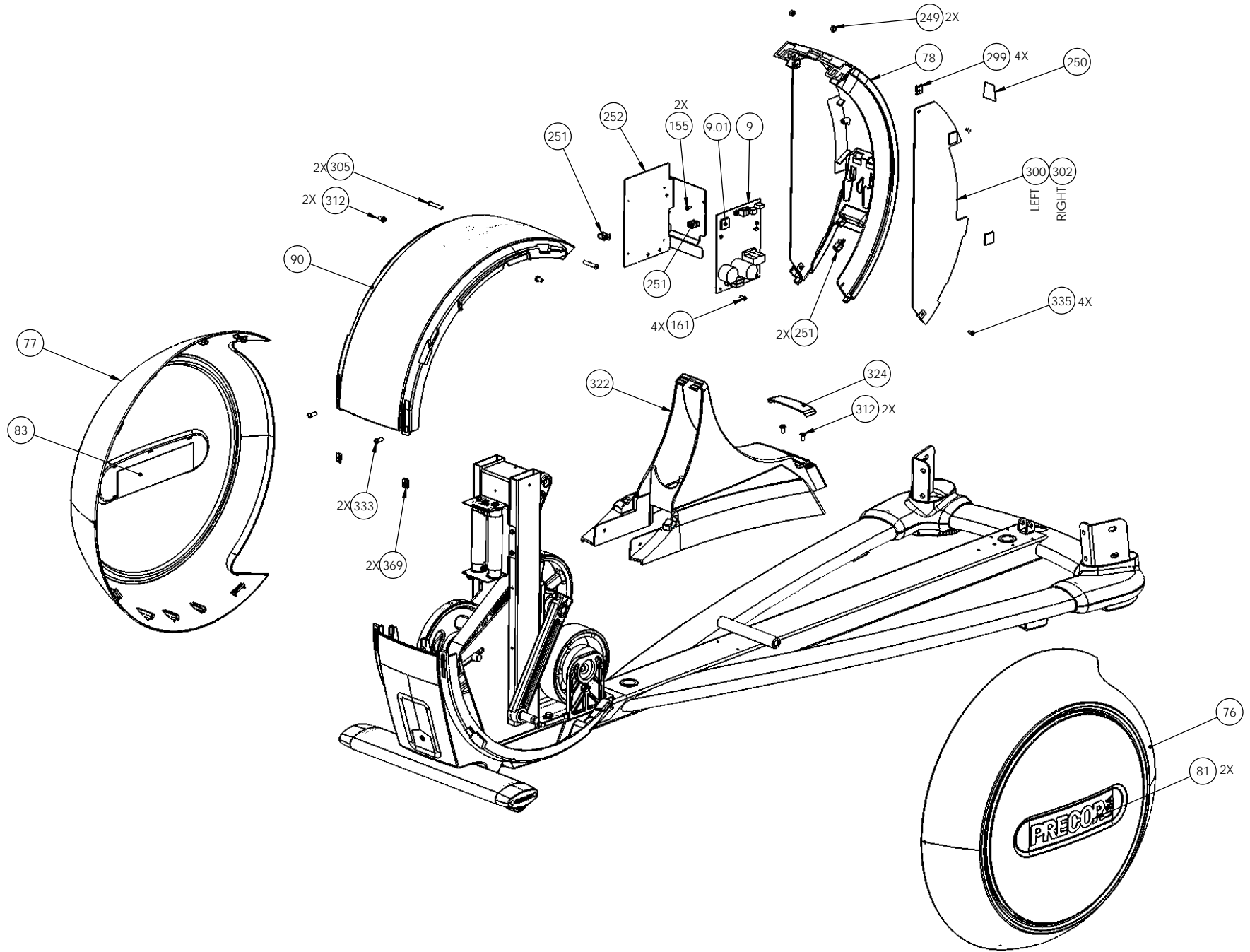


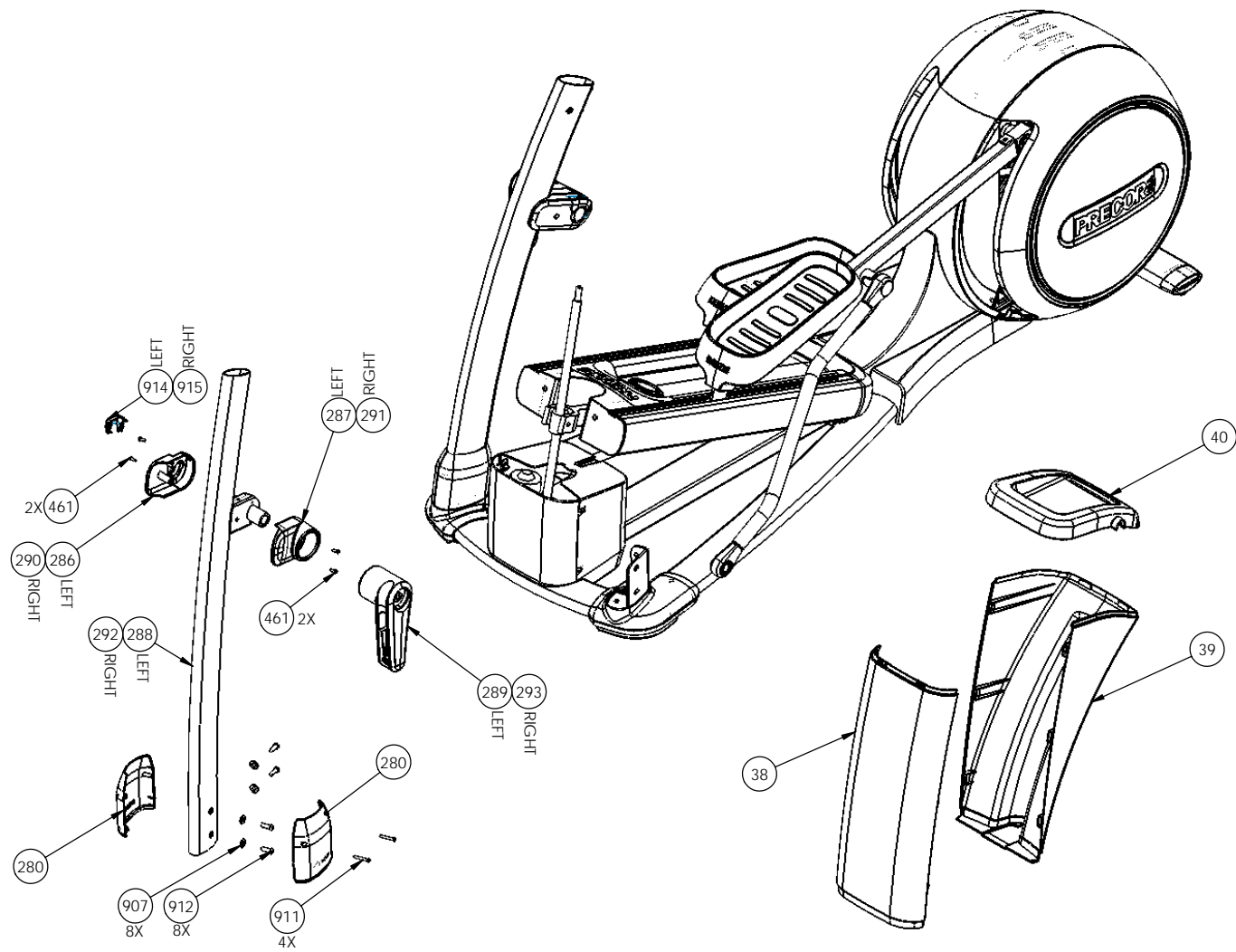






PAGE	OF	DWG. NO.	SUBREV
7	9	39869-101	H





C576i (serial code AEWE, AGJE)

Part Number	Description	Bubble Number
48296-102	ASSY, UPPER PCA & SW, C576I-T2, REX	4
39815-101	ASSEMBLY, DISPLAY, LABEL, EN, 576I,	6
44905-028	ASSY,CBL,MOD,8P8C,1-1,28"	7
44905-152	ASSY,CBL,MOD,8P8C,1-1,152"	8
45600-545	PCA, EFX SELF POWER LOWER, 6-PHASE,	9
47070-102	ASSY, LOWER PCA & SW, SP EFX, 6-PHA	9.01
39797-101	ACTUATOR, LIFT,SELF POWERED EFX, W/	16
39766-101	ASSY, HANDLEBAR, LEFT, 556I,566I	21
39766-102	ASSY, HANDLEBAR, RIGHT, 556I,566I	22
47043-311	CPU, PGMD, EFX SELF POWER, 6-PHASE,	27
11415-102	COUPLER,MOD,8P8C,INLINE,SNAP-IN	29
43579-106	BOARD, CHR & WIRELESS/CONTACT PRIOR	32
42713-102	HHHR SENSOR, TOP	33
42714-102	HHHR SENSOR, BOTTOM	34
44411-103	TOUCHSENSOR SHIELD,23-KEY,T2/C2/T3/	35
43329-102	WIRE FORM, PLASTIC, COMMERCIAL	36
39754-102	WELDMENT, DISPLAY MOUNT, C556I/C566	37
39737-101	LIFT COVER, FRONT	38
39736-101	LIFT COVER, REAR	39
39738-101	CROWN, LIFT COVER	40
39874-101	DOUBLE ADHESIVE FOAM TAPE 1" X 4"X1	42
39776-101	ASSEMBLY, RAMP, EFX,	44
39779-101	ASSY, RAMP PIVOT	45
39783-101	ASSY, LIFT NUT AND YOKE	46
50589-104	ASSY, STAIRARM, C556/C576I, RIGHT,	47
50589-103	ASSY, STAIRARM, C556/C576I, LEFT, S	48
48336-101	WHEEL, OVERMOLDED, BLACK	49
39750-102	FOOT PEDAL, REXAPEX	50
39768-102	ASSEMBLY, LINK, TOTAL BODY	56
39833-102	ASSEMBLY, CRANK ARM, COMMERCIAL, 10	58
39825-101	ASSEMBLY, DRIVE INPUT SHAFT WITH BE	61
10217-138	BELT, DRIVE, 360J16 POLY V	62
45974-101	ASSY, STEP-UP, 17:1 DRIVE, EFX	63
10217-139	BELT, DRIVE, 460J8 POLY V	64
39801-102	GENERATOR, 6 PHASE WITH PRESSED ON	65
39700-101	ASSEMBLY, RESISTOR, 240W	69
39769-102	ASSEMBLY, RESISTOR W/MINI-FIT CABLE	69
12258-070	BATTERY, SLA, 12V, 7AH, .187 TABS	72
39820-102	BRACKET, BATTERY MOUNT, C556I RX,	73
39798-101	ASSEMBLY, DRIVE FRAME, C576I	75
39731-102	REX, SIDE COVER ASSEMBLY, RH	76
39731-101	REX, SIDE COVER ASSEMBLY, LH	77
39864-102	ASSY, REAR COVER, FRONT	78
39792-101	LABEL, EFX COVER, REAR	81
48174-101	LABEL, WIRING DIAGRAM, C576I/C546I/C	83
43179-104	BACKPLATE, DISPLAY, COMMERCIAL, STO	85
11406-104	FOOT, ADJUSTING 3" DIA	86
31074-103	FOOT, FIXED, SP TREAD	87
39868-101	ASSY, REAR COVER, TOP	90
11075-110	FUSE, 6.30A, 250VAC, SLOW, RADIAL	95
12264-101	RJ-45 TELEPHONE JACK PLUG	101
39744-102	WHEEL, TRANSPORT, MOLDED	103
39845-201	FRONT, HANDGRIP, OVERMOLDED	105
39844-101	CAP, HANDGRIP	106
39846-201	BACK, HANDGRIP, OVERMOLDED	107
CCNN016-113	SCREW, SKHD, 8-32X1.125L, SS	108
39803-111	LABEL, ACCESSORY TRAY, EN, C576I	152
PGKN016-050	SCREW, S/T, #8X1/2, TRS, PHIL, BLK	153

45696-022	ASSY,CBL,FFC,12COND,28AWG,2.2"	154
MGKN016-038	SCREW,MCH,8-32X3/8,PANHD,PHIL,	155
MGCN016-038	SCREW,MCH,8-32X3/8,PANHD,PHIL,	156
PMKN016-088	SCREW,TCS,#8X7/8,PHIL,BLK ZN,TYPE 2	157
MGCN013-025	SCREW,MCH,6-32X1/4,PANHD,PHIL,	158
44954-013	ASSY,CBL,HHHR TO DISPLAY,13"	159
10123-102	CABLE TIE, 3-7/8 LONG,WHITE,NYL	160
PMKN016-075	SCREW,TCS,#8X3/4,PHIL,BLK ZN,TYPE25	161
KGCN038-033	LOCKNUT, STARWASHER, 3/8-16	162
10115-113	O-RING, ROUND, 1.25ID X .139	176
42730-101	PLUG, HHR, HANDLE BAR END	179
47342-032	ASSY, CABLE, HHR PCA TO GRIP, W/SH	180
TCNN016-075	SCREW, BTHD, 8-32X.75,SS	181
TFKN025-075	SCREW,BTHD,1/4-20X3/4,BLK ZN	182
47718-102	HOLE PLUG, PLASTIC .875 X.13-.18	190
12628-101	INSERT, SQUARE, NYLON	191
CAKN025-088	SCREW,SKHD,1/4-20X7/8,BLK ZN,LK	201
WPNN026-003	WASHER, FLAT, .255 X .468 X .029, S	202
39741-101	RAMP END CAP, REAR	203
39778-101	CHANNEL, RAMP, EFX	204
39850-101	T-NUT	205
TBKN019-038	SCREW,BTHD,10-32X3/8,BLK ZN	206
11432-102	FASTENER,TINNERMAN,TUBULAR,	239
11278-101	CABLE CLAMP,INSERT	251
39813-103	WELDMENT, LOWER BOARD MOUNT, C556I	252
39806-101	LABEL, SIDE ELIPTICAL,REXAPEX	253
10136-103	CLIP,U TYPE, TINNERMAN, 1/4-20	254
39727-101	REX BOTTOM COVER, REAR	255
48486-102	RIVET,PLASTIC, CHRISTMAS TREE, .50	256
12647-101	PALNUT, SELF THREADING NUT, REG. TY	277
HEWE031-050	SCREW, 5/16-18 X 1/2, HEX, LK	278
WCCN031-008	WASHER, FLT, 5/16X.875X.083	279
39873-101	ASSY, TARGA BOOTS	280
WNNN032-009	WASHER,FLT, .321X1.00X.090 THK	282
39747-101	PIVOT COVER, INNER, LH	286
39747-102	PIVOT COVER, OUTER, LH	287
39761-105	WELDMENT, UPRIGHT, LH,PT	288
39788-101	ASSY, MAIN PIVOT, LEFT	289
39747-103	PIVOT COVER, INNER, RH	290
39747-104	PIVOT COVER, OUTER, RH	291
39761-106	WELDMENT, UPRIGHT, RH,PT	292
39788-102	ASSY, MAIN PIVOT, RIGHT	293
MGKN016-038	SCREW,MCH,8-32X3/8,PANHD,PHIL,	294
HCCN031-125	SCREW,HEX,GR 5,5/16-18X1.25,ZN	295
47840-038	ASSY, CBL, 2C, 16 AWG, MINI-FIT/QK	296
45334-080	ASSY,CBL,18AWG,FLAG QC CONN,80"	297
43232-501	LABEL,CAUTION PINCH POINTS	298
10136-101	CLIP, U TYPE, TINNERMAN, #8	299
39862-101	ASSY, COVER, REAR CURTAIN, LH	300
10178-112	BUSHING, SNAP	301
39862-102	ASSY, COVER, REAR CURTAIN, RH	302
ABHN017-001	RING, RETAINER, EXTERNAL	303
TFKN025-150	SCREW, BUTTON HEAD, 1/4-20 X 1.50,	305
PMKN016-050	SCREW,TCS,#8X1/2,PHIL,BLK ZN,TYPE25	306
45205-078	ASSY,CBL,18AWG,6P5C,MINI-FIT,78"	307
39786-101	WHEEL, COVER, REAR	308
43798-102	SHAFT, PIVOT BLOCK, C5X6-NC	309
WBANN034-013	WASHER,FLAT,ID=11/32,OD3/4,TH=.125,	310
CAKN019-125	SCREW, SKHD,10-24 X 1.25,BLK ZN	311
PANKN025-050	SCREW,S/T,#1/4-20X1/2,PANHD,PHIL,BZ	312

39816-101	TARGA BOOT, LOWER,LEFT	313
10401-107	PIN, CLEVIS, 3/8 X 2.13,SILVER	314
PGKN016-063	SCREW,S/T,#8X5/8,TRS,PHIL,BLK	315
PKCN019-075	SCREW,S/T,#10X.75,WSHHXHD,ZN	316
PMKN016-050	SCREW,TCS,#8X1/2,PHIL,BLK ZN,TYPE25	317
CAKN038-200	SCREW,SKHD,3/8-16X2,BLK ZN,LK	318
39816-102	TARGA BOOT, LOWER,RIGHT	319
39817-101	TARGA BOOT,UPPER,LEFT	320
10400-103	PIN, HITCH, .093 DIA, SILVER CAD, #	321
39729-102	REX WEDGE, REAR	322
39817-102	TARGA BOOT,UPPER,RIGHT	323
39730-101	REAR COVER ACCESS	324
39734-101	LIFT PEDESTAL, FRONT	325
39742-101	RAMP END CAP, FRONT	326
39784-101	ASSY, LIFT PEDESTAL, REAR	327
WAGNN062-001	WASHER, WAVE, .87 OD X .62 ID	328
39791-101	ASSY, RAMP, CENTER COVER	330
39843-104	SPACER, LOWER LINK, MOLDED	331
TFKN025-075	SCREW,BTHD,1/4-20X3/4,BLK ZN	333
PGKN016-050	SCREW,S/T,#8X1/2,TRS,PHIL,BLK	335
KDKN038-034	LOCKNUT,FULL,3/8-16,BLK ZN	336
48529-101	SPRING, LINK ARM	337
HCCN038-275	SCREW,HEX, GR5,3/8-16X2 3/4, ZN	339
PMKN016-088	SCREW,TCS,#8X7/8,PHIL,BLK ZN,TYPE 2	340
11278-101	CABLE CLAMP,INSERT	351
HCCN031-075	SCREW, HEX HD, GRADE 5, 5/16-18 X .	353
37385-101	BRACKET, TENSIONER	355
37855-103	TAB, LOCKING	356
HACN025-250	SCREW,1/4-20X2-1/2,HEX,GR 2,ZN	357
KGCN031-027	LOCKNUT,STARWASHER,5/16-18,1/2	358
PKCN019-050	SCREW,S/T,#10X1/2,WSHHXHD,ZN	359
WRCN038-011	WASHER,GRADE 8,3/8,13/32 ID,13/16OD	362
39745-101	SHIELD,TARGA FRONT	363
39746-101	SHIELD, TARGA REAR	364
RANN038-100	SCREW,SHLD,1/2 X 1 ,HEXSC	366
12716-101	CABLE CLIP, DIE COMPANY	367
10136-103	CLIP,U TYPE, TINNEMAN, 1/4-20	369
PMKN016-050	SCREW,TCS,#8X1/2,PHIL,BLK ZN,TYPE25	461
12103-101	CLAMP,CABLE,VINYL COATED	462
KNCN019-013	NUT,HEX,10-32,ZINC	464
48133-015	ASSY,CBL,2C,HIGH TEMP,16AWG,#10 RIN	465
39841-101	CAP, LOWER LINK	501
47001-101	SHAFT, LINK BUSHING, 556I	503
WCCN038-008	WASHER, FLT, 3/8X1.00X.083	504
HCCE038-150	SCREW,HEX,GR 5,3/8-16X1 1/2,ZN,LK	505
39839-101	KIT, HARDWARE, C576I	901
10186-102	WRENCH, ALLEN, 1/4	902
10186-103	WRENCH, ALLEN, 3/16	904
39841-101	CAP, LOWER LINK	905
39842-101	CAP, HANDLEBAR PIVOT	906
WBCN031-007	WASHER,FLT,5/16X.688X.065, ZN	907
47001-101	SHAFT, LINK BUSHING, 556I	908
HCRN038-125	SCREW,HEX,GR 5,3/8-16X1-1/4,SIL ZN	909
CLCN031-175	SCREW, SKHD, 5/16-18 X 1.75, ZN,MAT	910
PMKN016-150	SCREW, SELF TAPPING,#8 X 1.50, PHIL	911
THCN031-100	SCREW,BTHD,5/16-18X1, ZN,MATHREAD	912
WCCN038-008	WASHER, FLT, 3/8X1.00X.083	913
39834-101	CAP,PIVOT AXLE, LH	914
39834-102	CAP,PIVOT AXLE, RH	915
48330-102	LITERATURE KIT, C576I	999